



### Ningbo Shunxingkaihao Machinery Co., Ltd.

Add: No.1 Gehechen, Donggangqi, Xiaogang Street, Beilun, Ningbo, China  
Tel: +86 574 86191888  
Mail: Sales@sunycal.com

### Shanghai SXXH Automation Co., Ltd.

Add: Room 303, Building A, No 455 Yanzhan Road, Jiuting town, Songjiang District, Shanghai, China  
Mail: Export@sunycal.com

### SXXH Automation India Private Limited

Add: B-152A, Mayapuri Industrial Area, Phase1, New Delhi-110064, India  
Tel: 011-43738825  
Mail: Pankaj@sxkhindia.com

### SXXH (HONG KONG) INDUSTRY LIMITED

Add: New Territories, Hong Kong  
Mail: Colincai@sunycal.com

### SXXH EURO

Add: Friedrich-Ebert-Straße 9, 35764 Sinn, Germany  
Mail: Frank.wang@sxkhglobal.com

### SXXH MEXICO OFFICE

Add: Queretaro Mexico  
Mail: ventasmexico@sxkhglobal.com



### 宁波顺兴开浩精工机械有限公司

Add: 宁波北仑小港东岗硐隔河陈 1 号  
Tel: +86 574 86191888  
Mail: Sales@sunycal.com

### Shanghai(上海)SXXH Automation

Add: 上海松江区九亭镇研展路 455 号 1 幢 303 室  
Mail: Export@sunycal.com

### SXXH (印度) Automation India

Add: B-152A, Mayapuri Industrial Area, Phase1, New Delhi-110064, India  
Tel: 011-43738825  
Mail: Pankaj@sxkhindia.com

### 順興開浩實業有限公司

Add: NEW TERRITORIES Hong Kong  
Mail: Colincai@sunycal.com

### SXXH 欧洲

Add: Friedrich-Ebert-Straße 9, 35764 Sinn, Germany  
Mail: Frank.wang@sxkhglobal.com

### SXXH 墨西哥

Add: Queretaro Mexico  
Mail: ventasmexico@sxkhglobal.com

# EMG

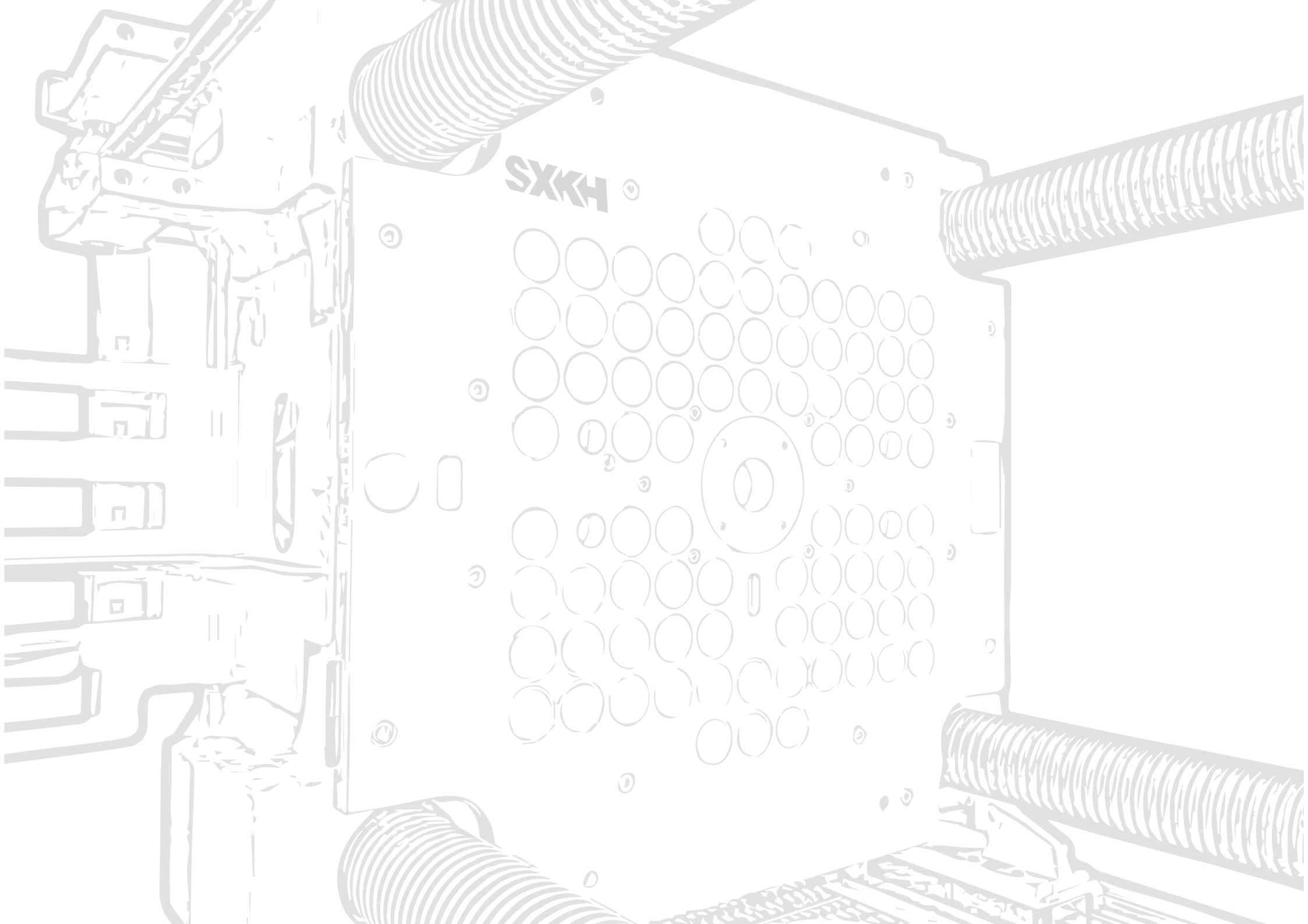


电永磁夹持系统

## Electricity Permanent Magnetic System

Sistema electromagnético permanente





HXKH

# About SXXH

关于 SXXH

## 宁波顺兴开浩精工机械有限公司 Ningbo Shunxingkaihao Machinery Co., Ltd.

位于中国宁波，主要研发、生产精模匠品牌的合模机、翻模机、试模机、液压夹具、电永磁吸盘等产品。公司在宁波拥有两家工厂，年产合模机 200 台，是国内较早生产合模机的厂家之一。

Located in Ningbo, China, it is mainly engaged in designing, producing and selling Die Spotting Press, Mold Flipper, Mold Inspection Machine, Hydraulic Clamps and Electro-permanent Magnetic Chuck. Ningbo SXXH owns two plants in Ningbo with annual output of 200 sets of die spotting presses, which is one of the first domestic manufacturers of die spotting press.

## 上海钜匠自动化有限公司 Shanghai SXXH Automation CO., Ltd.

位于中国上海，主要向中国市场提供欧美高端设备的进口服务，包括售前、售后。代表产品有葡萄牙 MOLDMAK 的六轴多功能加工中心。同时也为全球客户提供中国优质的模具加工设备。

Located in Shanghai, China, it is mainly engaged in providing import service of High-end equipment from Europe and America to Chinese market, including installation and after-sales service. For instance: the six-axis machining center from Moldmak, Portugal, which is the world leading company in Milling & Drilling machine. Meanwhile, Shanghai SXXH also provides Chinese top-quality mold & tool processing equipment to global customers.

SXXH Global 总部位于中国宁波，专注于为全球客户提供模具产业的周边配套设备。  
The headquarters of SXXH Industry is located in Ningbo, China, and we are dedicated to providing peripheral equipment of Die & Mold industry to global customers.

## 印度 (SXXH) 自动化有限公司 SXXH Automation India Private Limited

位于印度新德里，主要负责 SXXH Global 在印度市场的所有业务。

Located in New Delhi, India, it is responsible for all businesses in India market of SXXH Industry.

## 香港 (SXXH) 实业有限公司 SXXH(HONG KONG) Industry Limited

位于中国香港，主要负责 SXXH 全球业务拓展及项目投资。  
Located in Hongkong, it is mainly engaged in the development of SXXH Industry business and industrial investment.

## 宁波译语匠心 (SXXH) 翻译有限公司 Ningbo Trans-Artisan Translation Co., Ltd.

SXXH Global 旗下独特的语言服务团队。公司致力于帮助中国制造业进入国际市场提供强大的多种语言支持。

As an independent language service enterprise under SXXH Global, it provides strong multi-language support for Chinese manufacturing enterprises to enter the international market.



# SXKH GLOBAL

我们希望我们的业务遍布全球的每一个角落，同时，我们也真诚地欢迎每一位合作伙伴的加入，携手共创顺兴开浩全球化产业的美好明天。  
We wish to have our presence across the world. We also sincerely welcome new partners to join hands with SXKH to help us reach out to global industries.



## 全球办事处及合作伙伴

### SXKH Global Strategic Partners

#### SXKH 墨西哥 Office

SXKH Mexico Office

美国展厅  
加拿大合作伙伴  
USA Show Room  
Canada Representative

#### SXKH 德国 Office

SXKH Germany Office

西班牙合作伙伴  
葡萄牙合作伙伴  
Spain Representative  
Portugal Representative

#### SXKH 印度公司

SXKH Indian Company

土耳其合作伙伴  
意大利合作伙伴  
Turkey Representative  
Italy Representative

泰国售后 Office  
越南售后 Office  
Thailand After-sales Service Office  
Vietnam After-sales Service Office

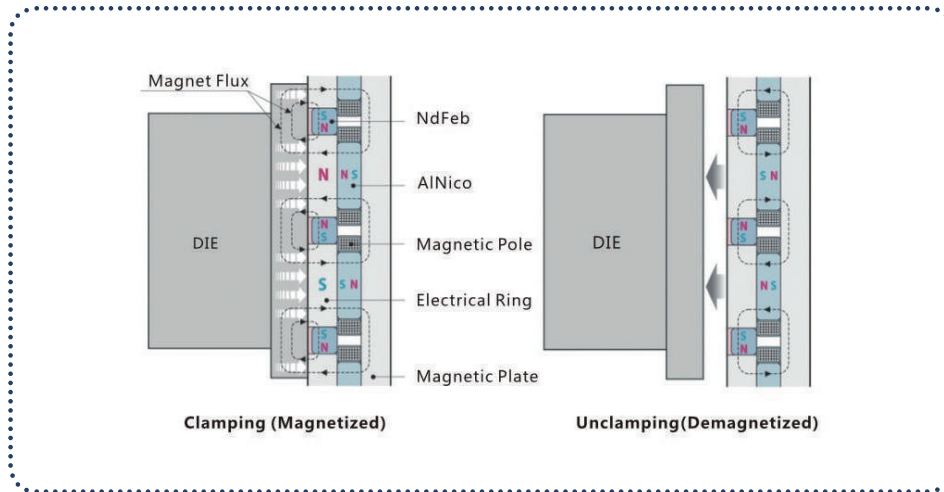
中国 · 台湾合作伙伴  
中国 · 香港公司  
Taiwan, China Representative  
Hongkong, China company

## Application

# 注塑机

## Injection Molding Machine

Máquina de moldes por inyección



### 01

停电会掉模吗？

Will the mold drop after power failure?

不会。磁力模板使用的是电控永磁技术，最大的一个特点就是断电不断磁。电能只在改变磁力模板的工作状态时的几秒钟（1s-5s）内使用，而维持其工作状态并不需要电能，磁力是由内部永久磁铁（钕铁硼、铝镍钴）产生。实际上，在磁力模板吸住模具后就会自动断电，仅有传感器在运行，但磁力将一直保持下去。

No. The magnetic table is made with the electronically controlled permanent magnet technology whose biggest feature is that the magnetic table is continuously magnetized after power failure and electric energy is only used within a few seconds (1s-5s) when the working state of the magnetic table is changed, but not required to maintain its working state, and the magnetic force is generated by internal permanent magnets: (NdFeB magnet and Alnico magnet) In fact, the power will be cut off automatically after the magnetic table holds the mold, only the sensor working, but the magnetic force will be maintained all the time.

### 02

大型的模具能吸住吗？

Can large molds be held?

可以，而且很轻松。磁力模板本质是将若干稀土永磁体的磁力线聚集在一定尺寸的磁极上使其通磁密度增大，随着磁通密度增大磁力成平方比关系增加。在实际应用中，大型注塑机磁板设计的有更多的磁极，单边磁力模板就能吸住整副模具的重量，故而大型模具（如30-50吨）也能轻松吸住。

Yes, and they can be easily held. The essence of the magnetic table is to gather the magnetic line of force of a number of rare earth permanent magnets on the magnetic poles of a certain size to increase the flux density. As the magnetic flux density increases, the magnetic force increases in a square ratio. In practical applications, the magnetic table of a large injection molding machine is designed with more magnetic poles, and the unilateral magnetic table can hold the entire mold, so large molds (such as 30-50 tons) can also be easily held.

### 03

磁力能保持多久？

How long can the magnetic force last?

不用担心。磁力模板采用的是高性能永久磁铁钕铁硼 - 被称之为“磁王”，永久磁铁磁性的衰减是一个非常漫长的过程，以10年为单位只降低1%，在注塑机的使用寿命内，磁力模板可以一直使用，完全不用担心。

Never mind. The magnetic table is made of the high-performance NdFeB permanent magnet, known as the "magnetic king". The magnetic attenuation of the permanent magnet is a very long process, which is only reduced by 1% in 10 years. Within the service life of the injection molding machine, the magnetic table can be used all the time without worries.

### 05

有热流道的模具背板温度较高会不会影响磁力？

Will the high temperature of the back plate of the mold with hot runner affect the magnetic force?

我司标准磁力模板使用温度是120°C，可以定制更高耐温等级的磁力模板（150°C-200°C）。

The service temperature of our standard magnetic table is 120°C, and a higher temperature-resistant magnetic table (150°C-200°C) can be customized.

### 04

需要改造注塑机？

Is it necessary to transform the injection molding machine?

不需要。使用磁力模板大部分情况是后期加装，只需要螺丝将磁板固定在注塑机上即可，不需要改造注塑机，但磁板中间位置需要在注塑机上打孔以固定磁板。

No. The magnetic table is mostly installed in the later stage, that is, screws are needed to fix the magnetic plate on the injection molding machine without the need to transform the injection molding machine. But the middle position of the magnetic plate needs to be perforated on the injection molding machine to fix the magnetic table.

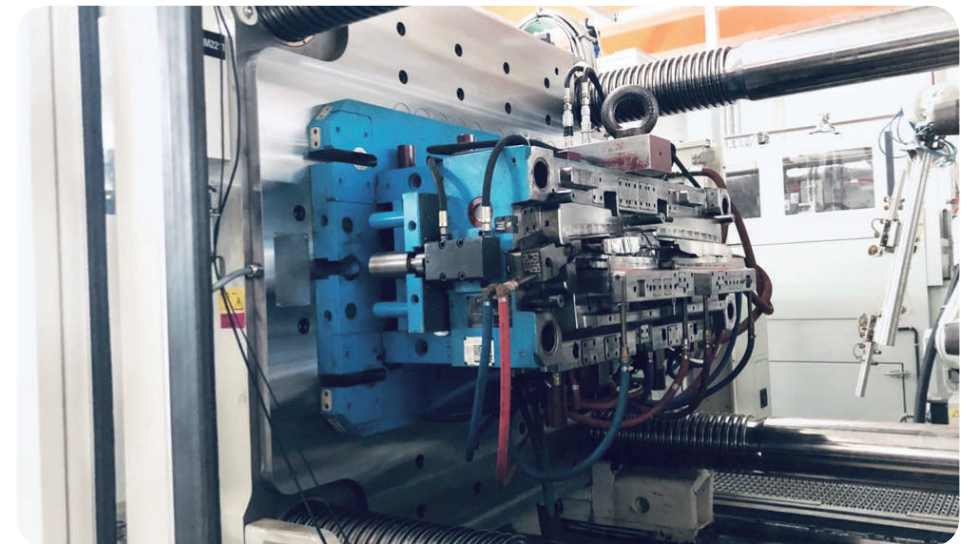
### 06

磁力模板磁力对人体是否有危害？

Is the magnetic force of magnetic table harmful to human body?

没有危害。磁板的磁力线只在25mm范围内运行，且磁通量是恒定不变的，并不是变化的磁场，因而并不产生辐射危害，但配有心脏起搏器的人员禁止靠近。

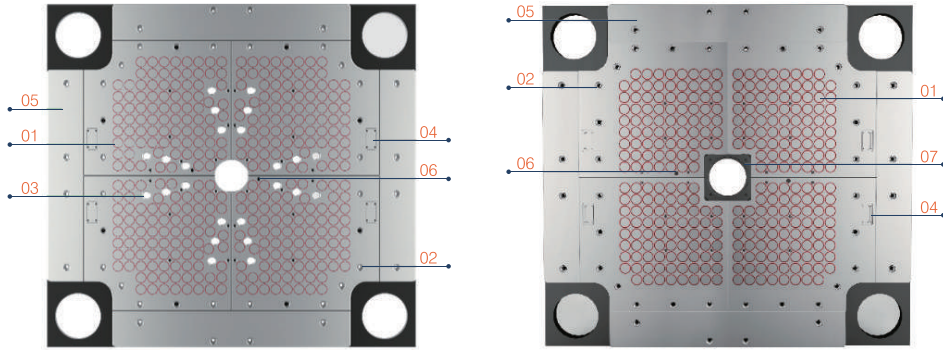
No. The magnetic line of force of the magnetic plate only operates within 25mm, and the magnetic flux is constant, so there is no radiation hazard, but personnel equipped with cardiac pacemaker are prohibited from approaching.



## Application

# 注塑机 Injection Molding Machine

Máquina de moldes por inyección



- 01** 磁极：采用双磁极，圆形磁极技术，平均单个吸力 660kgf，磁通密度更高。  
Magnetic pole: double magnetic pole and circular magnetic pole technology are adopted, with an average 660kgf magnetic force per pole with higher magnetic flux density.

Polo magnético: adopta doble polos magnéticos y la tecnología de polo magnético circular, con una succión simple medio de 660kgf y una densidad de flujo magnético más alta.

- 02** 固定螺栓。  
Fixing bolt.
- 03** 顶出孔：符合 EUROMAP/SPI/JIS 标准。  
Ejector hole: Meet EUROMAP/SPI/JIS standards.

Perno de fijación.

Orificio de expulsión: cumple con la norma de EUROMAP/SPI/JIS.

- 04** 内置接线盒：PID 算法控制系统，充退磁电流精准控制，确保磁力饱和。  
Built-in junction box: PID algorithm control system, precise control of magnetization and demagnetization current to ensure magnetic saturation.

Tiene una caja de conexión incorporada, un sistema de control de algoritmo PID permite un control preciso de la corriente de magnetización y desmagnetización y un aseguramiento de una saturación magnética.

- 05** 辅助板：方便为换模台车预留孔位。  
Auxiliary plate: it is convenient to reserve holes for the mold change trolley.

Placa auxiliar: la carretilla tiene una posición de agujero reservada para facilitar el cambio de moldes.

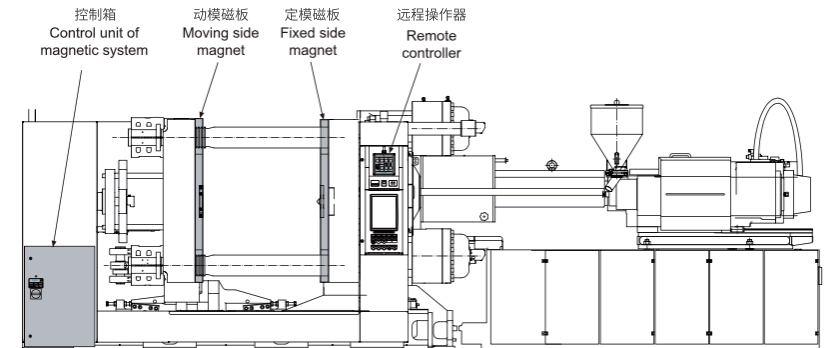
- 06** 0.2mm 感应接近开关：集成温度传感器，1000 次 / 秒的信号采集速率，信号互通，准确感知，配有 EuroMap70.0/70.1 接口，与注塑机磁力模板智能通讯。

0.2mm inductive proximity switch: integrated temperature sensor, 1,000 times/s signal acquisition rate, signal interworking, accurate sensing, equipped with EuroMap70.0/70.1 interface communicating intelligently with the magnetic table of the injection molding machine.

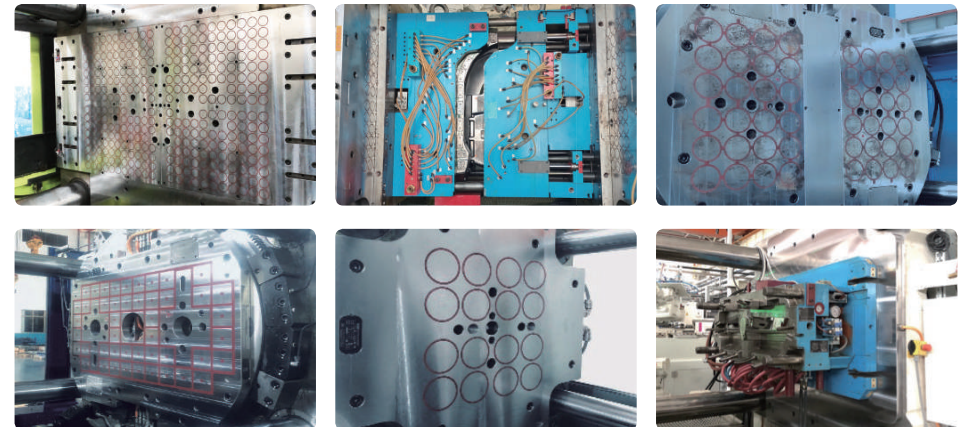
Interruptor de proximidad inductivo de 0,2 mm, sensor de temperatura integrado, la tasa de adquisición de señal es 1000 veces/segundos, las señales se intercomunican y se puede percibir con precisión. Está equipado con la interfaz EuroMap70.0/70.1, comunicación inteligente con la plantilla magnética de la máquina de molde por inyección.

- 07** 定位环：便于模具定位安装。  
Locating ring: it is convenient for mold positioning and installation.

Anillo de posicionamiento: para facilitar la colocación e instalación de moldes.



## Application - IMM



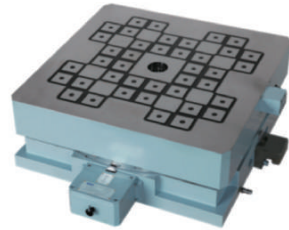
## Application

# 回转工作台 Precision Index Rotary Table

Mesa giratoria de precisión



T Slot Table



EP. Magnetic Table

## 规格标准 / Specification / Especificaciones y estándares

型号 Model	单位 Unit	PIT-450	PIT-600	PIT-800	PIT-1000	PIT-1200	PIT-1500
工作台 Table Size	(mm)	450x450	600x600	800x800	1000x1000	1200x1200	1500x1500
总高 Heigh	(mm)	170	205	265	265	265	340
主轴孔 Spindle Hole	(mm)	∅ 30	∅ 40	∅ 58	∅ 58	∅ 80	∅ 80
T 型槽宽度 T-Slot(mm)	(mm)	18	18	22	22	22	22
驱动 Driving	上下 Longitudinal	气压供给 / Pneu.Pressure 5~8kg.cm2					
	回转 Revolving	手动 / Manual					
允许承载重量 Max. Load Weight	(KG)	2000	3000	4000	5000	10000	12000
回转方向 Way of Revolving		正反转皆可 Positive or Negative Rotation					
最小分角度 No. of Division	(°)	1° Or 5°					
重量 Weight	(KG)	220	420	900	1200	3000	4000

电永磁工作台面注：以下尺寸为电永磁台面特有 / Electricity Permanent Magnetic Table Type

型号 Model	单位 Unit	PIT-450C	PIT-600C	PIT-800C	PIT-1000C	PIT-1200C	PIT-1500C
磁体吸力 Magnetic Clamping Force	(KG)	5000	8000	10000	12000	14000	16000
磁力线深 Flux Penetration	(mm)	15	15	15	15	15	15
磁极尺寸 Size of Pole	(mm)	52x52	52x52	70x70	70x70	70x70	70x70

## 01

适用于镗床、铣床、深孔钻床、加工中心等机床。

Suitable for machine tools like Boring machine, Milling Machine, Deep Hole Drilling Machine, CNC Machine.

Adecuado para mandriladora, fresadora, taladradora de agujero profundo, centro de mecanizado etc.

## 02

磁性工作台可实现快速更换工件功能（选配 Optional）。

Magnetic table can realize quick die change function (Optional).

Función de cambio rápido de piezas con el banco de trabajo magnético (opcional).

## 03

坚固气压锁紧系统，可耐重切削。

Powerful clamping system design allows heavy cutting and boring.

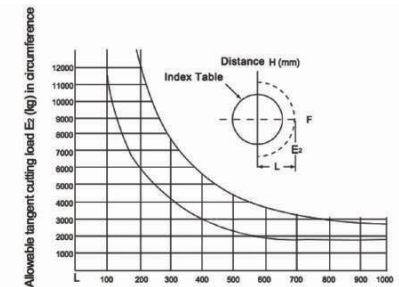
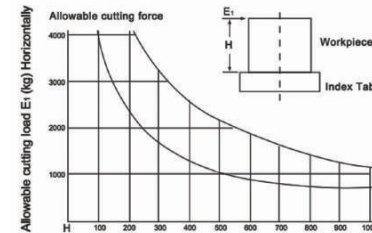
Abyan barométrica sistema cerrado hermético, pueden retornar pesado.

## 04

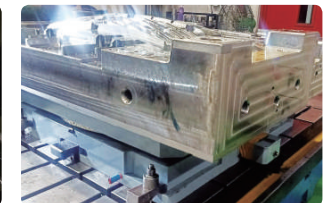
采用二联齿式联结器，最小分角度 1° 或 5°，分割精度 ±0.3 秒。

Adopt 2 pieces coupling for locating, index precision at ±0.3second with 1° or 5° Number of division.

Adopta un acoplamiento de engranaje de dos piezas, con una separación mínima de 1° o 5° y una precisión de división de ± 0,3 segundos.



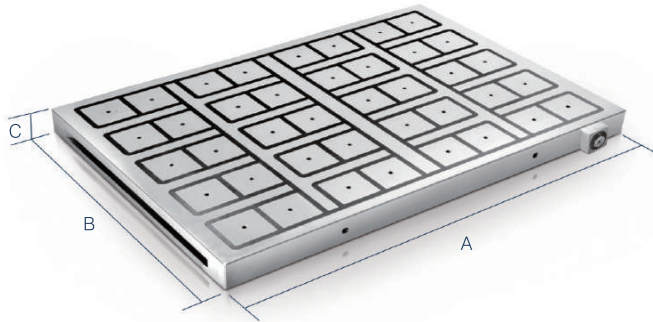
## Application Case



## Application

# CNC 加工中心磁盘 CNC-Magnetic Chuck

Mesas magnéticas para CNC

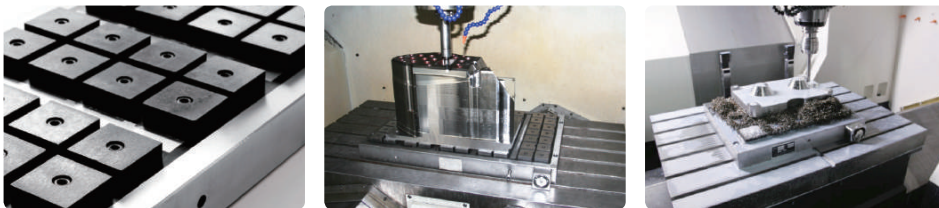


## ■ 标准尺寸 / Standard Dimension

型号 Model	尺寸 Dimension(mm)					磁穿透力 Flux penetration (mm)	单个磁极磁力 Magnetic Force
	A	B	C	E (D)	Pcs		
CNC404	350	350	75	52×52	1	15	3.5KN/P
CNC406	400	600	75	70×70	1	20	6KN/P
CNC505	450	450	75	70×70	1	20	6KN/P
CNC510	500	1000	75	70×70	1	20	6KN/P
CNC608	600	800	75	70×70	1	20	6KN/P
CNC610	600	1000	75	70×70	1	20	6KN/P
CNC812	800	1200	75	70×70	1	20	6KN/P
CNC1014	1000	1400	75	70×70	1	20	6KN/P
CNC1016	1000	1600	75	70×70	1	20	6KN/P
CNC1218	1200	1800	75	70×70	1	20	6KN/P

\* 可根据客户要求定制工作台面大小 \* Can be customized.

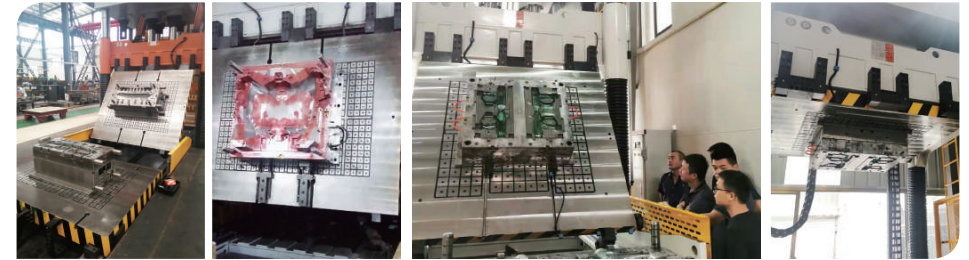
## Application Case



## Application

# 液压机 Hydraulic Press

Prensa hidráulica



### 01 操作简单，省时高效：磁盘通过控制器实现 2-3 秒快速充退磁。

Easy operation and time saving: Magnetization and Demagnetization can be finished within 2-3 second.

Fácil operación y ahorro de energía: La magnetización y desmagnetización se realiza durante 2 a 3 segundos.

### 02 安全节能：仅在充退磁的 2-3 秒内需要通电，停电依旧不掉磁，很好地保护工件及操作人员的安全。

Safety and energy-saving: Electricity only needed during 2-3 second magnetizing and demagnetizing process. Magnetic force will remain after power drop which give workpieces and staff well protection.

Seguridad y ahorro de energía: Solo se necesita la electricidad durante el proceso de magnetización y desmagnetización de 2 a 3 segundos. La fuerza magnética permanecerá después de la caída de energía, lo que ofrece protección a las piezas de trabajo y al personal.







